



CPF Series

SMOKESPILL CABINET FAN



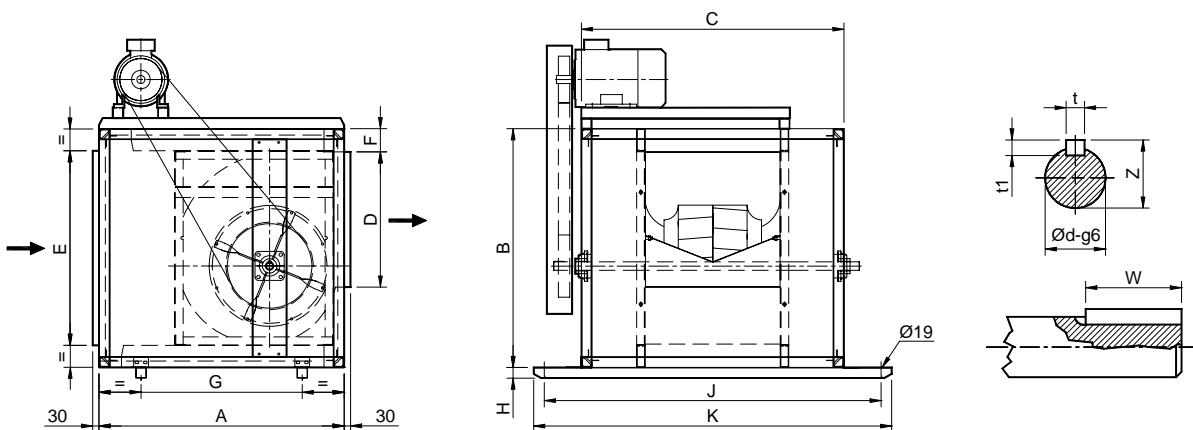
Smokespill Cabinet Fan - CPF Series

KROGER

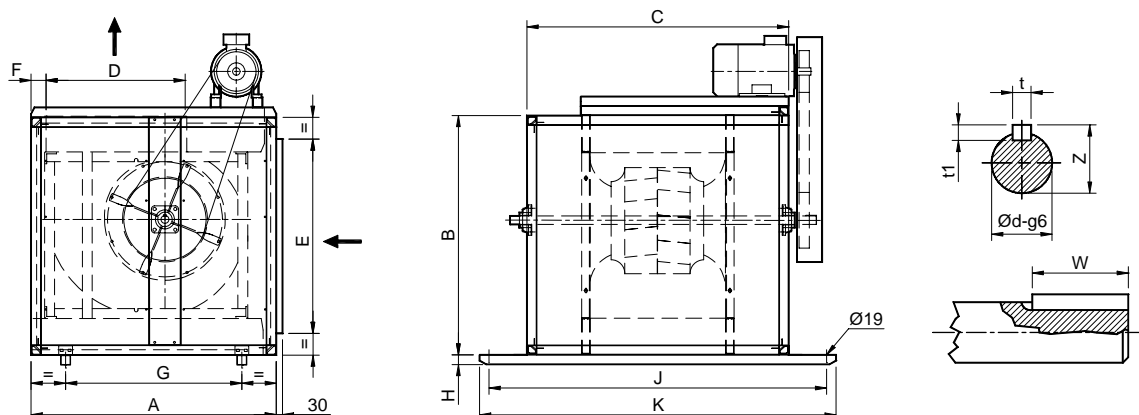
- The CPF Series, belt-driven centrifugal cabinet fan with externally located motor, is designed for smoke spill application.
- Cabinet is manufactured in galvanized sheet steel incorporated with a belt driven, high efficiency, low noise level, double inlet forward (CPF-F) or backward (CPF-B) impeller.
- Complete with inlet & outlet flange as standard.
- Penta post construction with Aluminum corner piece, column and reinforced galvanised sheet panel.
- Tested in accordance to standard GA211-1999 & GB/T13275-91 and complies with the performance criteria for 280 °C at 30 mins. (Test report no.: 20022584). Tested by 'National Center for Quality Supervision and Testing of Fire Building Materials (NFTC) in China'.
- Noise reduction and acoustic lining available upon request.
- Acoustic lining with Galvanised sheet facing is fitted as standard. Perforated sheet facing is optional upon request.
- Motor should be selected to handle air at ambient temperature based on specified air volume & pressure. This is to allow periodic testing of the fan and in case of a fire, the smoke temperature is lower then specified.

Dimensions

90° orientation



360° orientation



Smokespill Cabinet Fan - CPF Series



Model	A	B	C	D	E	F	G	H	J	K	Ød	t	t1	W	Z	Max. RPM	Max. kW	Weight kg
CPF-B 200	576	589	662	256	399	106	262	40	912	1012	25	8	7	40	28.0	5200	2.0	62
CPF-B 225	634	635	734	288	445	106	344	40	984	1084	25	8	7	40	28.0	4500	2.2	69
CPF-B 250	691	679	810	322	489	106	380	40	1060	1160	25	8	7	40	28.0	4000	2.5	77
CPF-B 280	764	736	900	360	546	106	440	40	1200	1300	25	8	7	40	28.0	3500	3.0	86
CPF-B 315	842	798	1000	404	608	106	550	40	1300	1400	25	8	7	40	28.0	3100	4.0	95
CPF-B 355	938	871	1109	452	681	106	669	40	1409	1509	30	8	7	40	33.0	2700	5.0	105
CPF-B 400	1042	954	1234	506	764	106	834	40	1534	1634	30	8	7	40	33.0	2500	6.0	116
CPF-B 450	1158	1055	1371	568	865	106	951	40	1671	1771	35	10	8	50	38.0	2200	8.0	123
CPF-B 500	1291	1163	1568	638	943	123	1078	50	1918	2018	35	10	8	50	38.0	1900	10.0	190
CPF-B 560	1433	1273	1742	714	1053	123	1212	50	2142	2242	40	12	8	70	43.0	1700	12.0	231
CPF-B 630	1595	1401	1940	800	1181	123	1420	50	2040	2440	45	14	9	70	48.5	1500	14.0	282
CPF-B 710	1780	1575	2164	898	1355	123	1564	125	2564	2664	50	14	9	90	53.5	1350	18.0	314
CPF-B 800	1991	1741	2413	1006	1521	123	1803	125	2813	2913	55	16	10	90	59.0	1200	22.0	394
CPF-B 900	2221	1921	2681	1130	1701	123	1941	150	3181	3281	60	18	11	90	64.0	1050	30.0	483
CPF-B 1000	2433	2081	3000	1266	1861	123	2200	150	3500	3600	70	20	12	110	74.5	1000	35.0	557

Model	A	B	C	D	E	F	G	H	J	K	Ød	t	t1	W	Z	Max. RPM	Max. kW	Weight kg
CPF-F 200	576	589	662	256	399	106	262	40	912	1012	25	8	7	40	28.0	3300	2.5	62
CPF-F 225	634	635	734	288	445	106	344	40	984	1084	30	8	7	40	33.0	2900	3.0	69
CPF-F 250	691	679	810	322	489	106	380	40	1060	1160	30	8	7	40	33.0	2700	3.0	77
CPF-F 280	764	736	900	360	546	106	440	40	1200	1300	35	10	8	50	38.0	2400	4.0	86
CPF-F 315	842	798	1000	404	608	106	550	40	1300	1400	35	10	8	50	38.0	2100	5.5	95
CPF-F 355	938	871	1109	452	681	106	669	40	1409	1509	40	12	8	70	43.0	1800	5.5	105
CPF-F 400	1042	954	1234	506	764	106	834	40	1534	1634	45	14	9	70	48.5	1600	7.5	116
CPF-F 450	1158	1055	1371	568	865	106	951	40	1671	1771	45	14	9	70	48.5	1400	7.5	123
CPF-F 500	1291	1163	1568	638	943	123	1078	50	1918	2018	35	10	8	50	38.0	1200	11.0	190
CPF-F 560	1433	1273	1742	714	1053	123	1212	50	2142	2242	40	12	8	70	43.0	1100	11.0	231
CPF-F 630	1595	1401	1940	800	1181	123	1420	50	2040	2440	45	14	9	70	48.5	900	15.0	282
CPF-F 710	1780	1575	2164	898	1355	123	1564	125	2564	2664	50	14	9	90	53.5	800	18.5	314
CPF-F 800	1991	1741	2413	1006	1521	123	1803	125	2813	2913	55	16	10	90	59.0	750	25.0	394
CPF-F 900	2221	1921	2681	1130	1701	123	1941	150	3181	3281	60	18	11	90	64.0	650	30.0	483
CPF-F 1000	2433	2081	3000	1266	1861	123	2200	150	3500	3600	70	20	12	110	74.5	600	37.0	557

* Weight without fan, motor and drive transmission. Fan operating rpm & kW beyond this range, please consult Kruger for details.

All Dimension in mm.